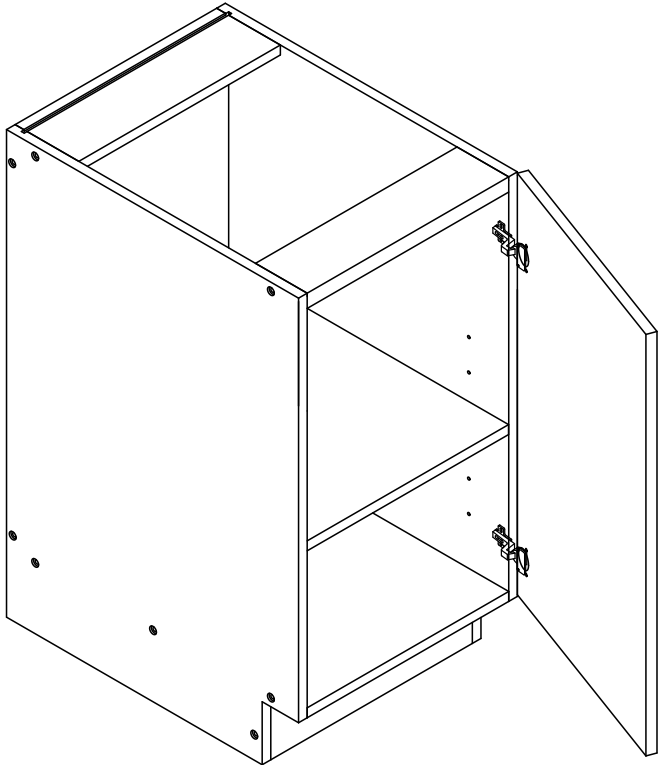
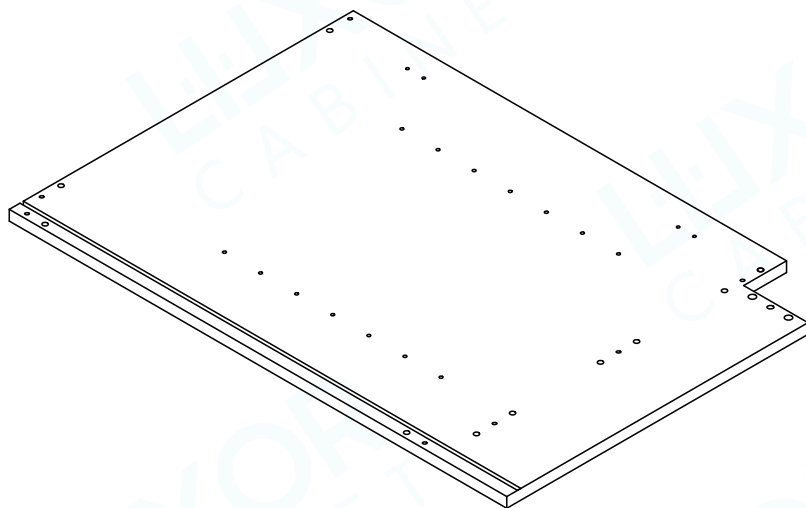
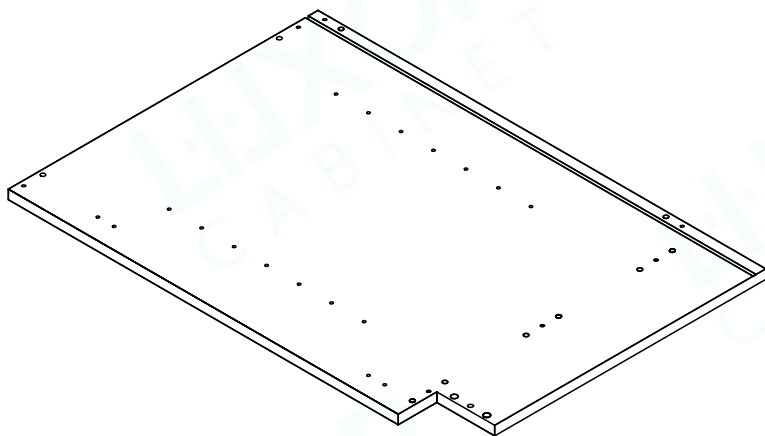


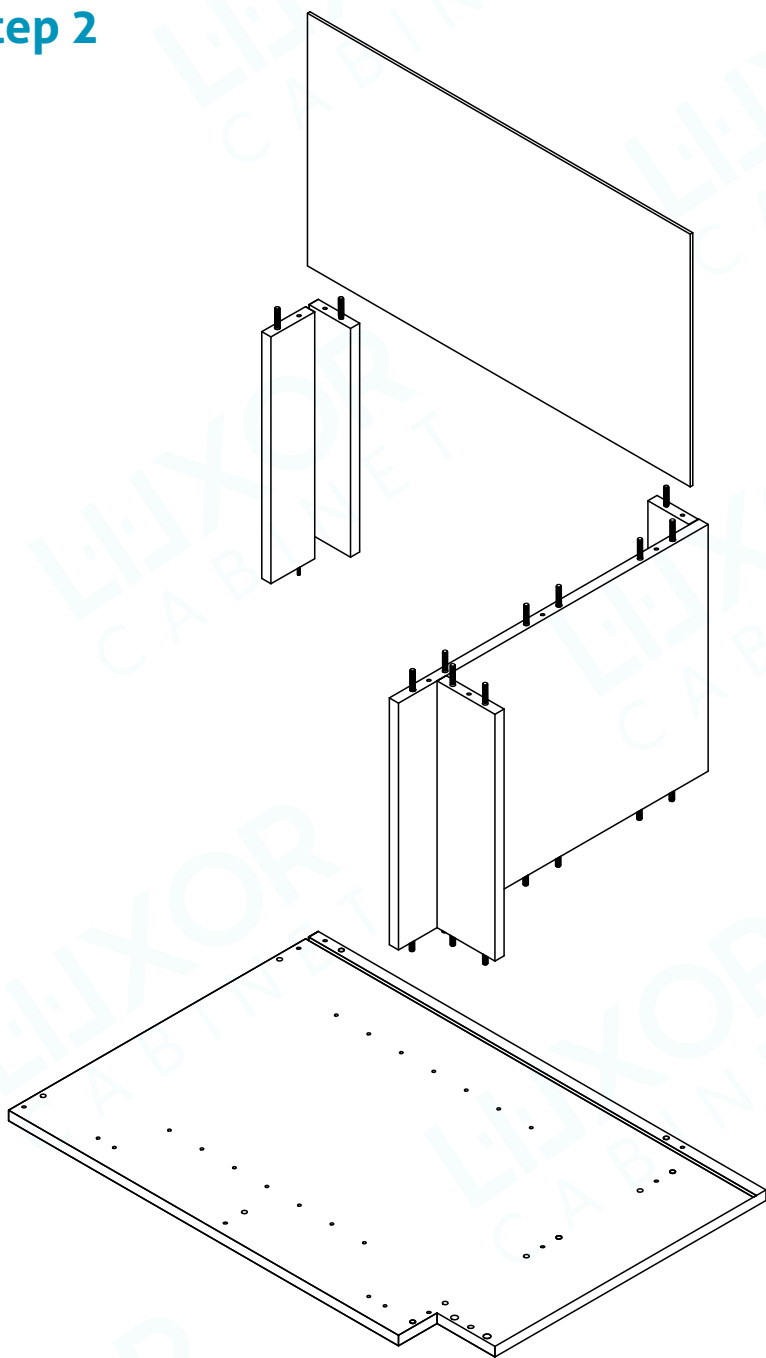
**Base Cabinet  
Assembly Instruction**  
B(09-21) FD



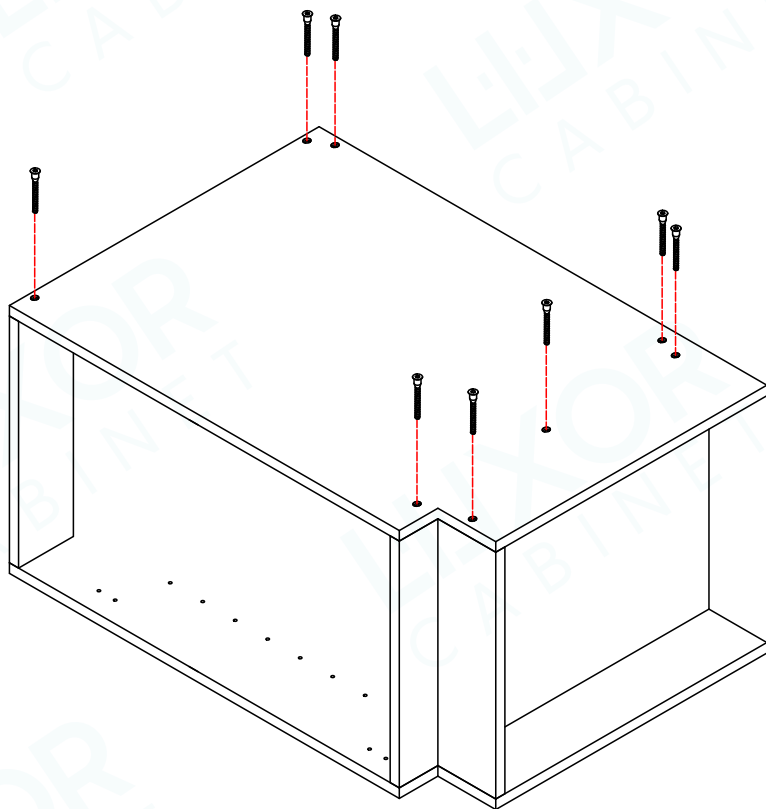
## Step 1



## Step 2



## Step 3



## Step 4

