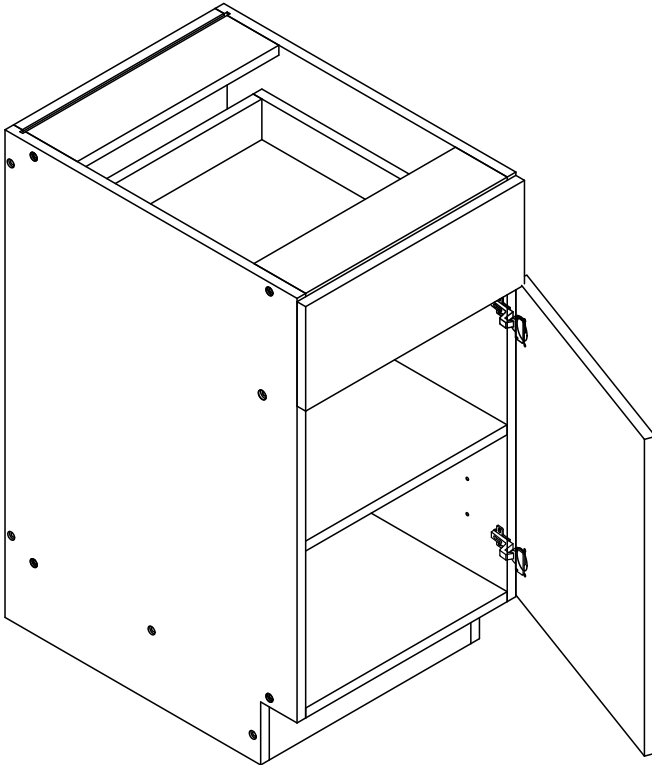
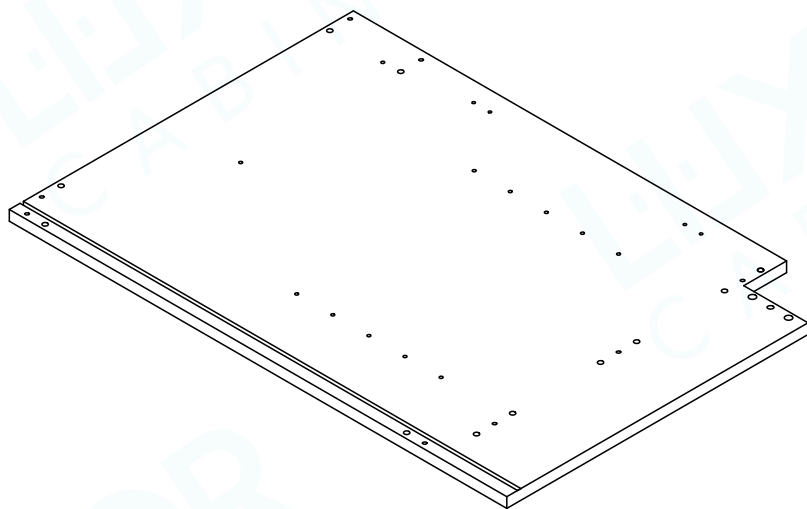
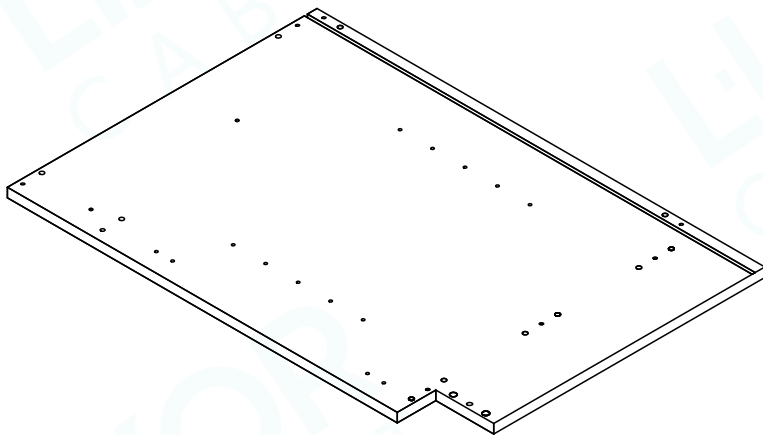


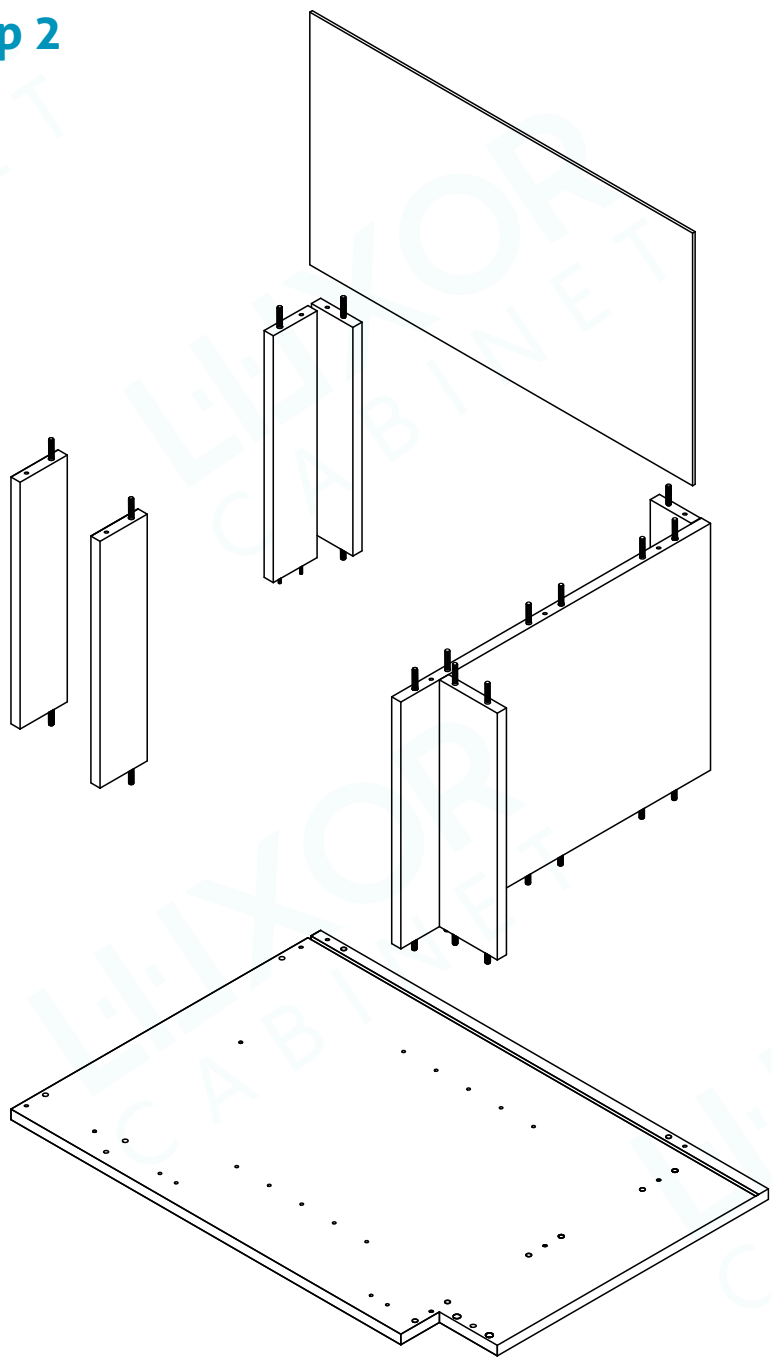
# Base Cabinet Assembly Instruction B(09-21)



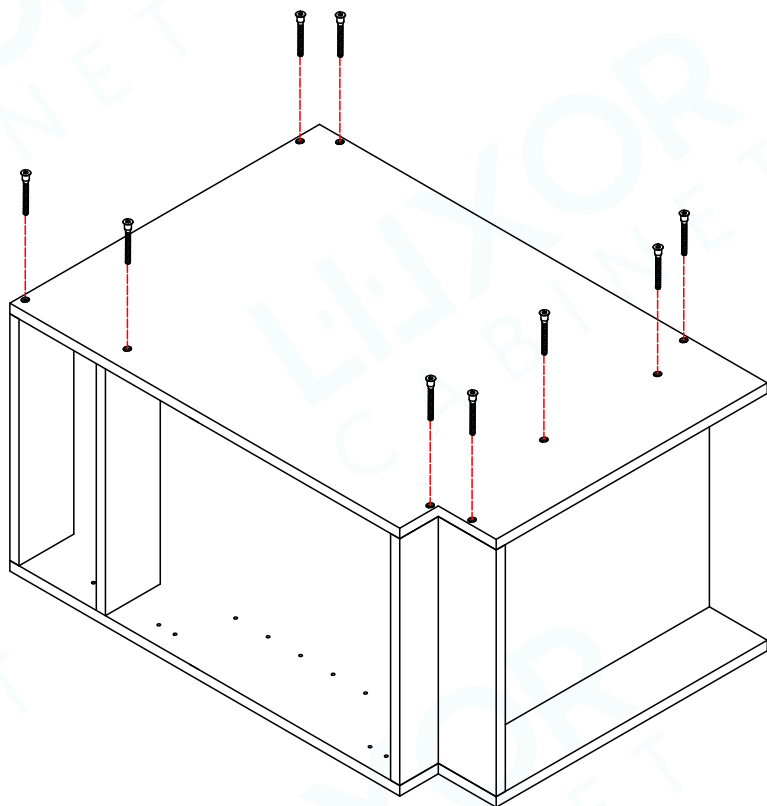
## Step 1



## Step 2



## Step 3



## Step 4

