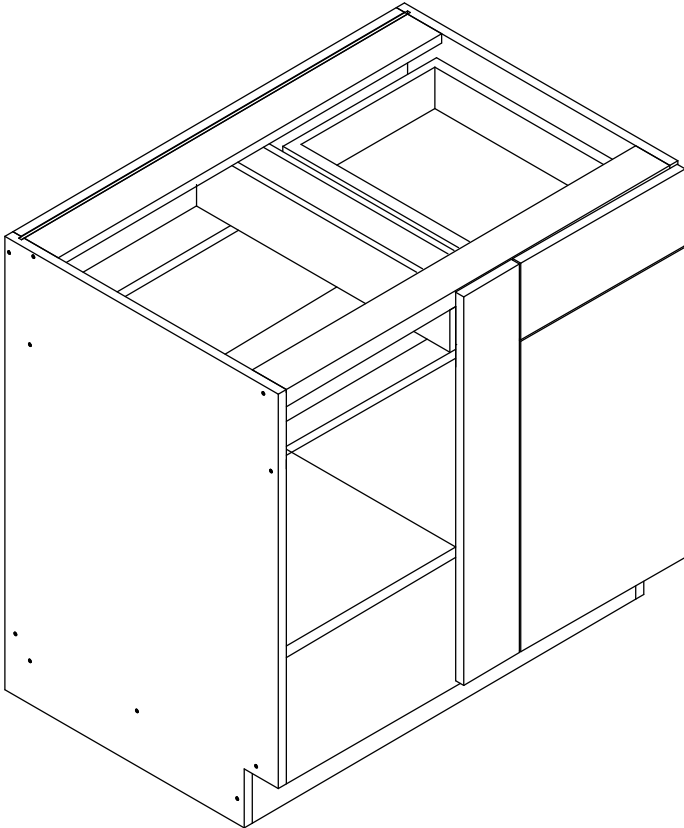
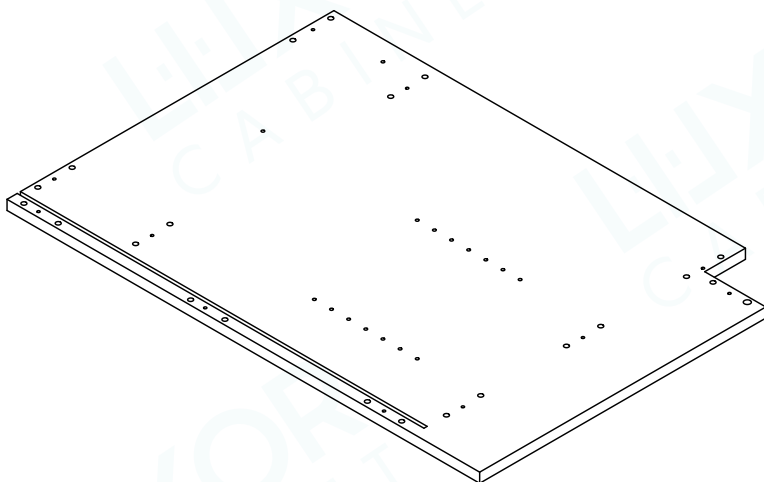
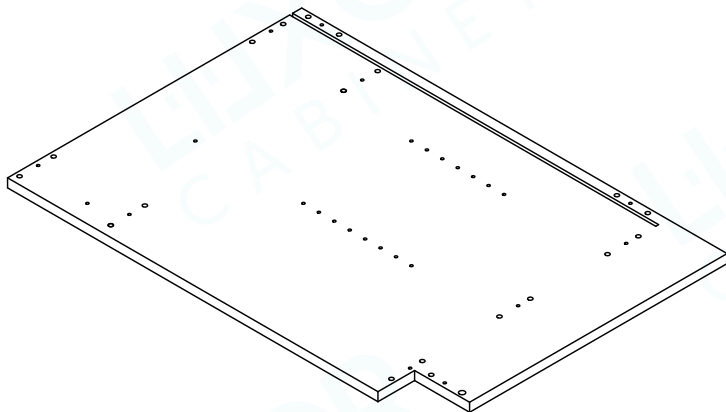


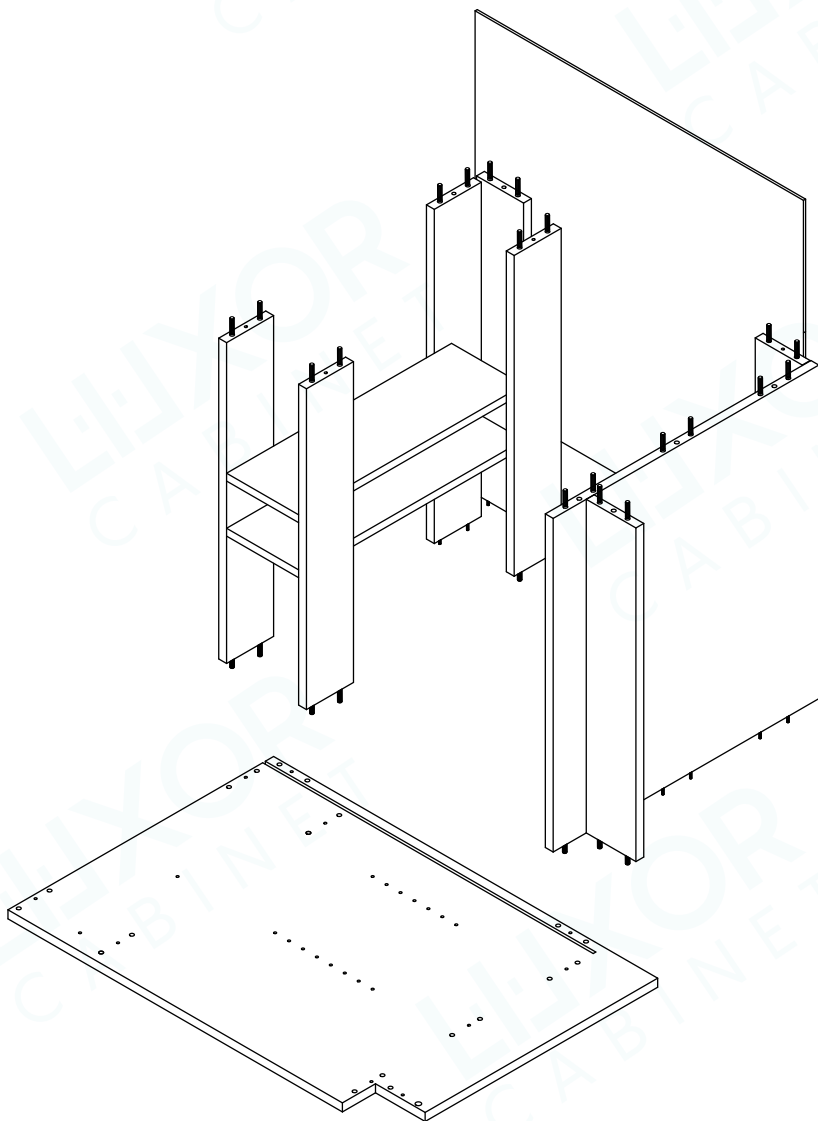
**Base Cabinet  
Assembly Instruction  
B(24-42) FD**



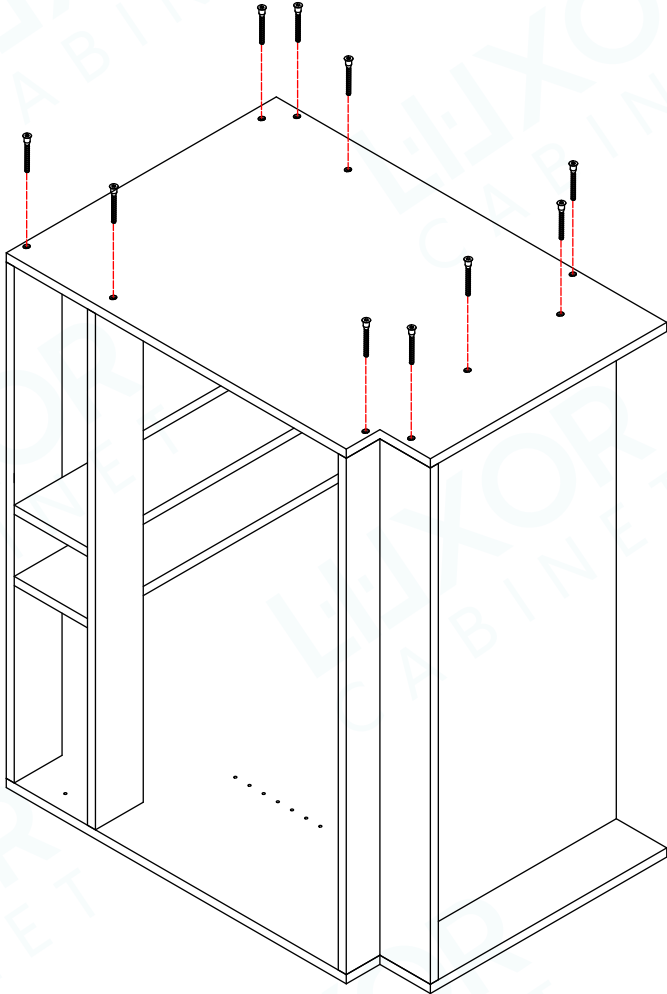
## Step 1



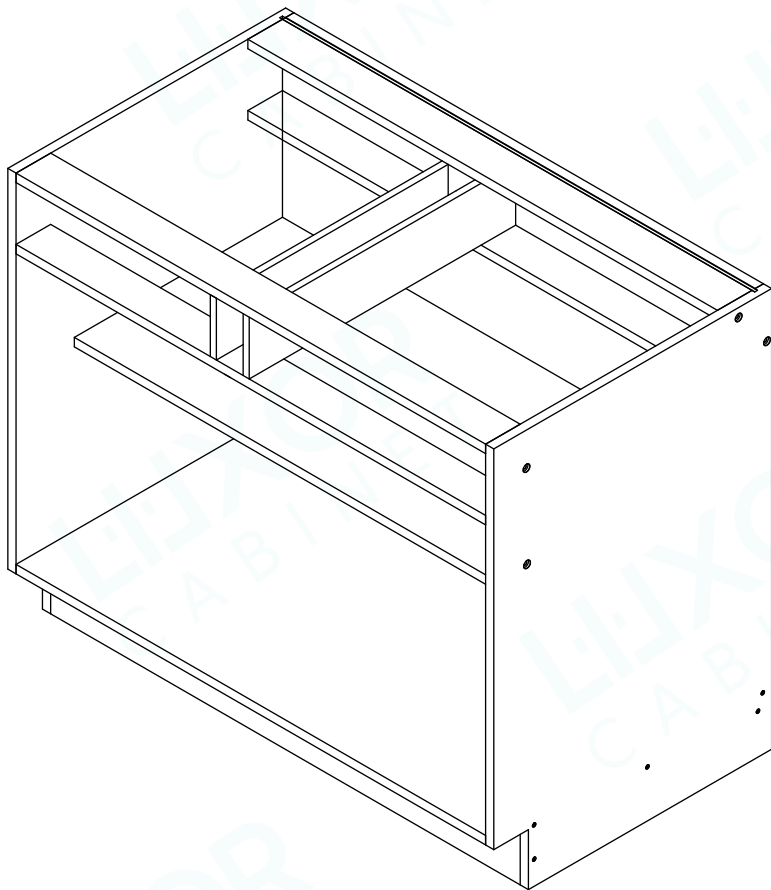
## Step 2



# Step 3



## Step 4



## Step 5

