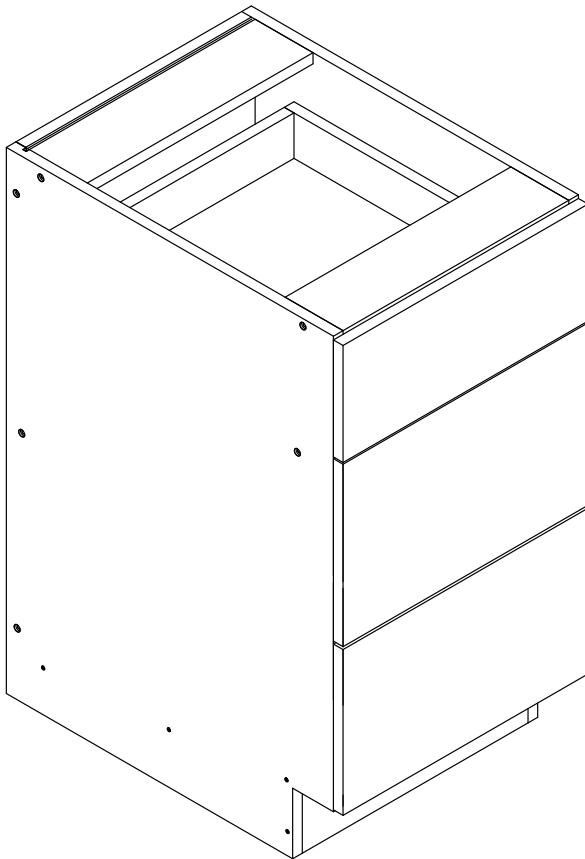
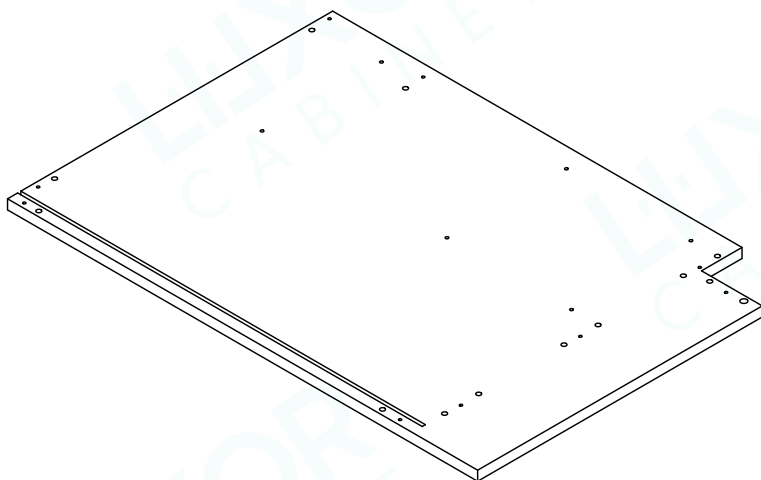
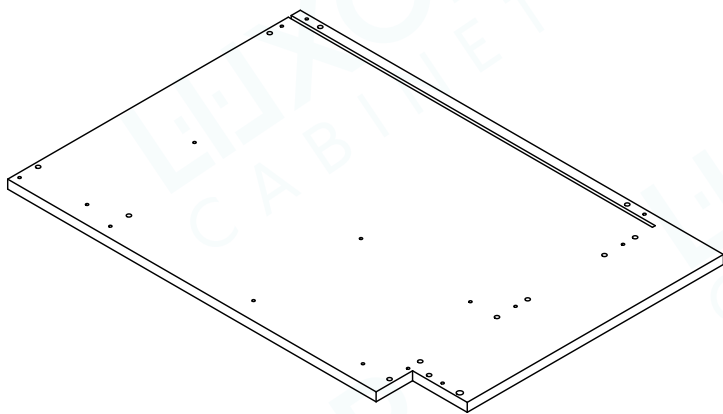


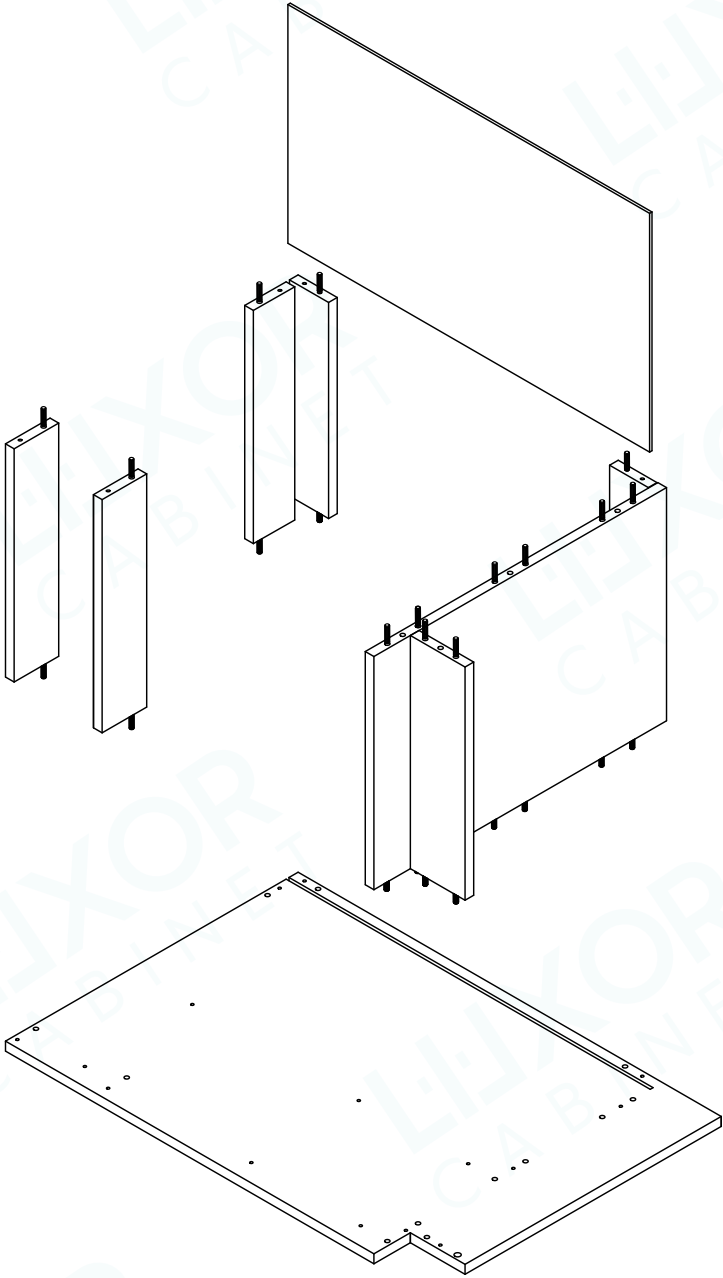
**Base Cabinet
Assembly Instruction**
3DB/ 3VDB



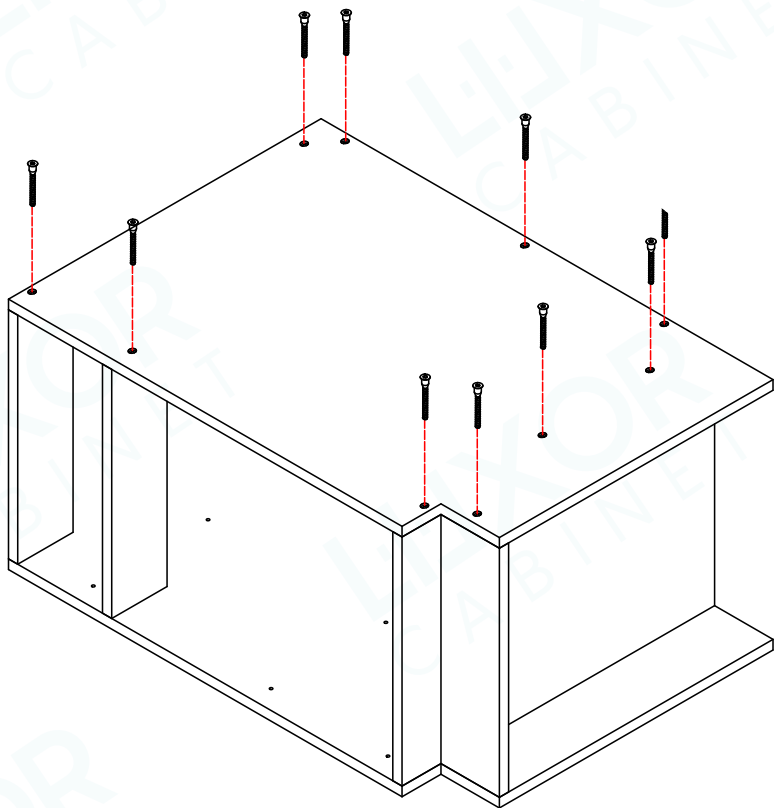
Step 1



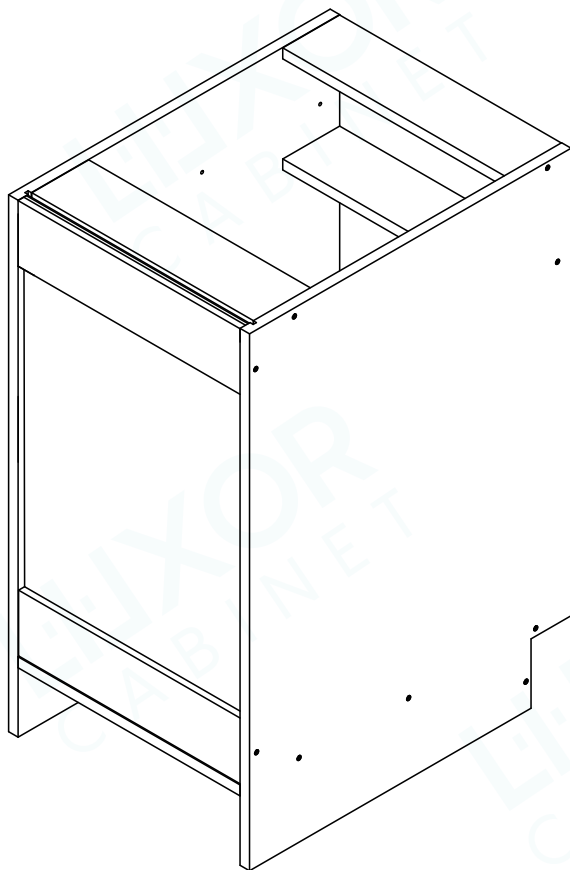
Step 2



Step 3



Step 4



Step 5

